

REVISIONS		
REV. NO.	DESCRIPTION	DATE
-	-	-

SEC. 35, T12N, R9W

SEC. 35, T12N, R9W

130+00

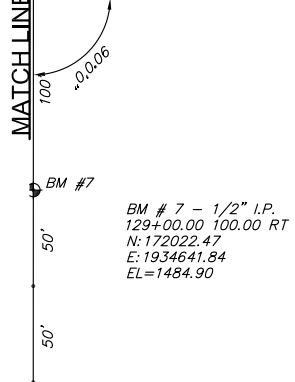
135+00

140+00

N00°01'24"E 5251.60' S.L., C.R.L. & C.L. SURVEY

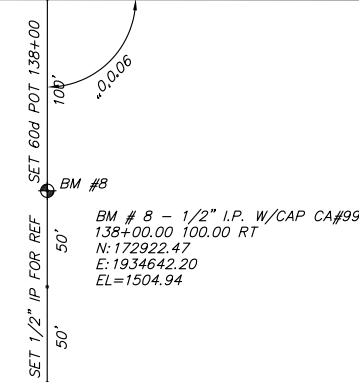
MATCHLINE STA. 129+00

MATCHLINE STA. 144+00



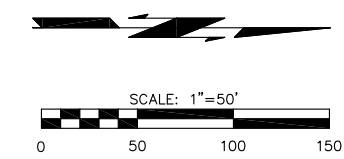
BM # 7 - 1/2" I.P.  
129+00.00 100.00 RT  
N: 172022.47  
E: 1934641.84  
EL=1484.90

SEC. 36, T12N, R9W



BM # 8 - 1/2" I.P. W/CAP CA#990  
138+00.00 100.00 RT  
N: 172922.47  
E: 1934642.20  
EL=1504.94

SEC. 36, T12N, R9W



SEC. 35, T12N, R9W

SEC. 26, T12N, R9W

145+00

150+00

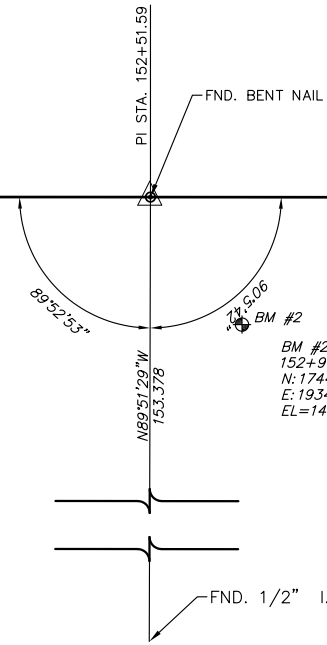
155+00

N00°01'24"E 5251.60' S.L., C.R.L. & C.L. SURVEY

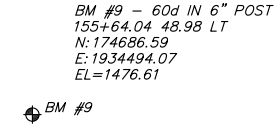
N00°02'49"E 2630.74' S.L., C.R.L. & C.L. SURVEY

MATCHLINE STA. 144+00

MATCHLINE STA. 159+00



BM # 2 - 1/2" I.P.  
152+99.34 66.36 RT  
N: 174421.79  
E: 1934609.20  
EL=1478.29



BM # 9 - 60d IN 6" POST  
155+64.04 48.98 LT  
N: 174686.59  
E: 1934494.07  
EL=1476.61

SEC. 36, T12N, R9W

SEC. 25, T12N, R9W

CALUMET ROAD

CANADIAN COUNTY

DESIGN	LKJ
DRAWN	GLH
CHECKED	SK
APPROVED	
SQUAD	MKEC

OKLAHOMA DEPARTMENT OF TRANSPORTATION

SURVEY DATA SHEET (2)

STATE JOB NO. 27858(04)

SHEET NO. S002

N:\AF-CALUMET RD-CANADIAN COUNTY\DRAWINGS\AF45SURVEY\DATA SHEETS\1.DWG 9/5/2017